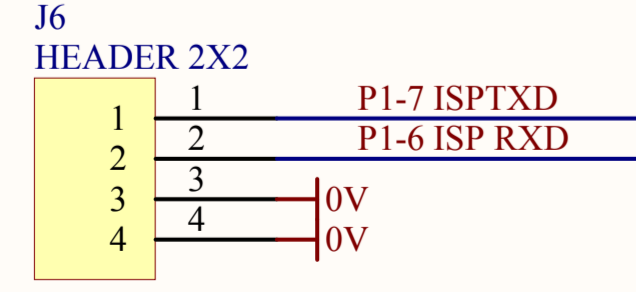
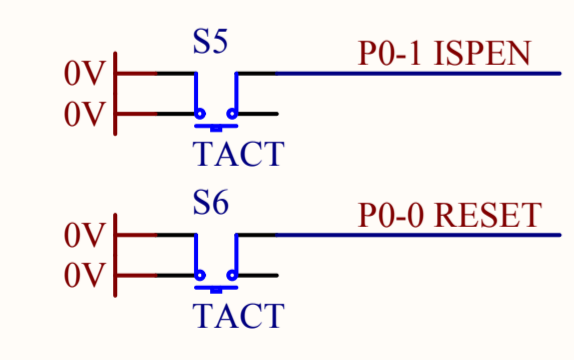
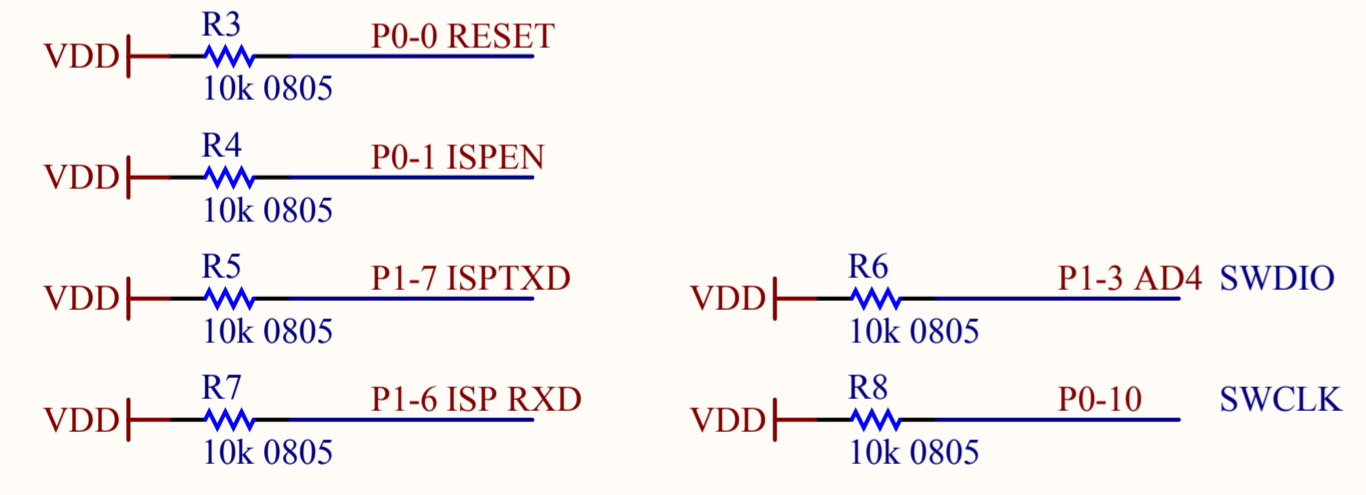
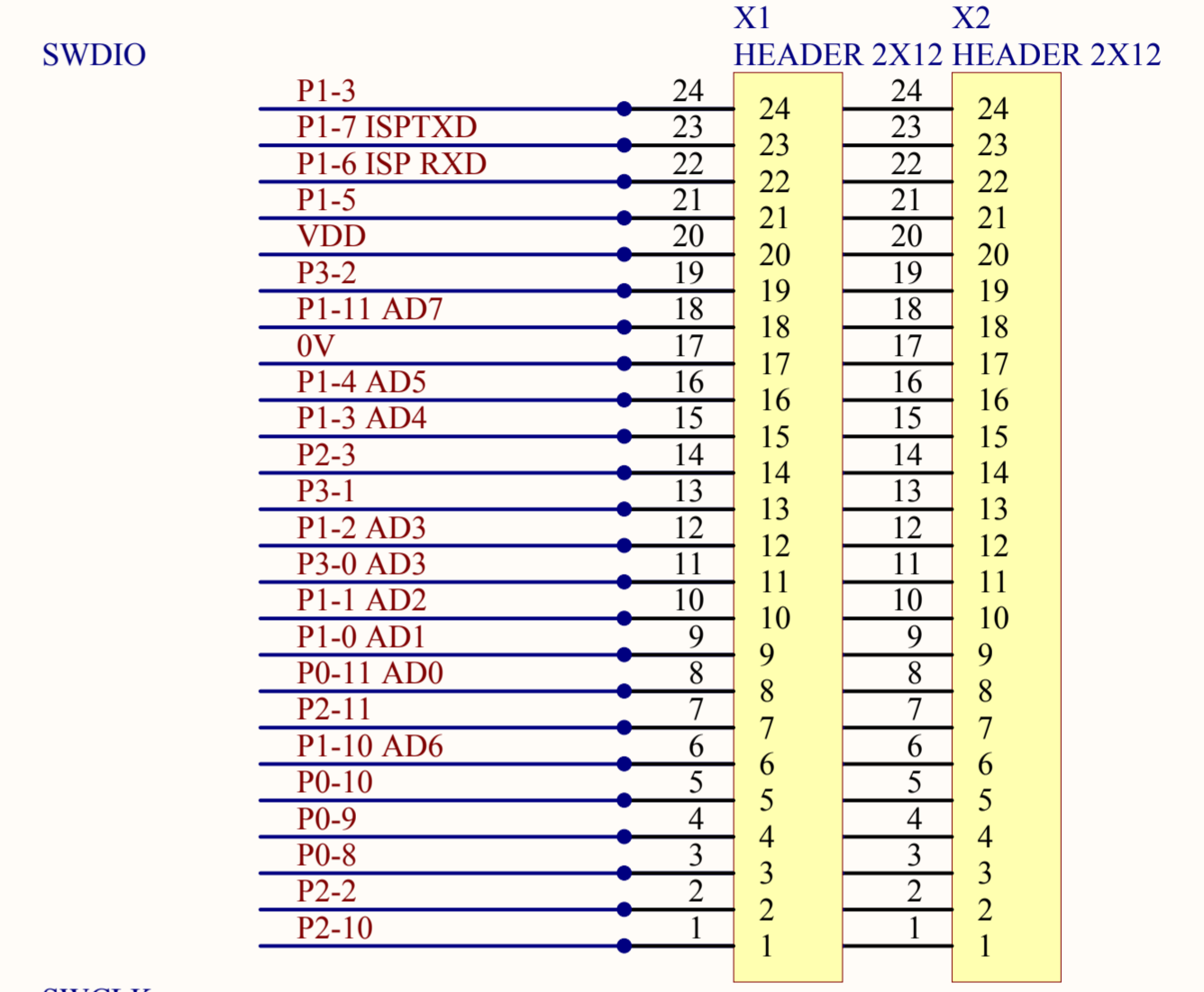
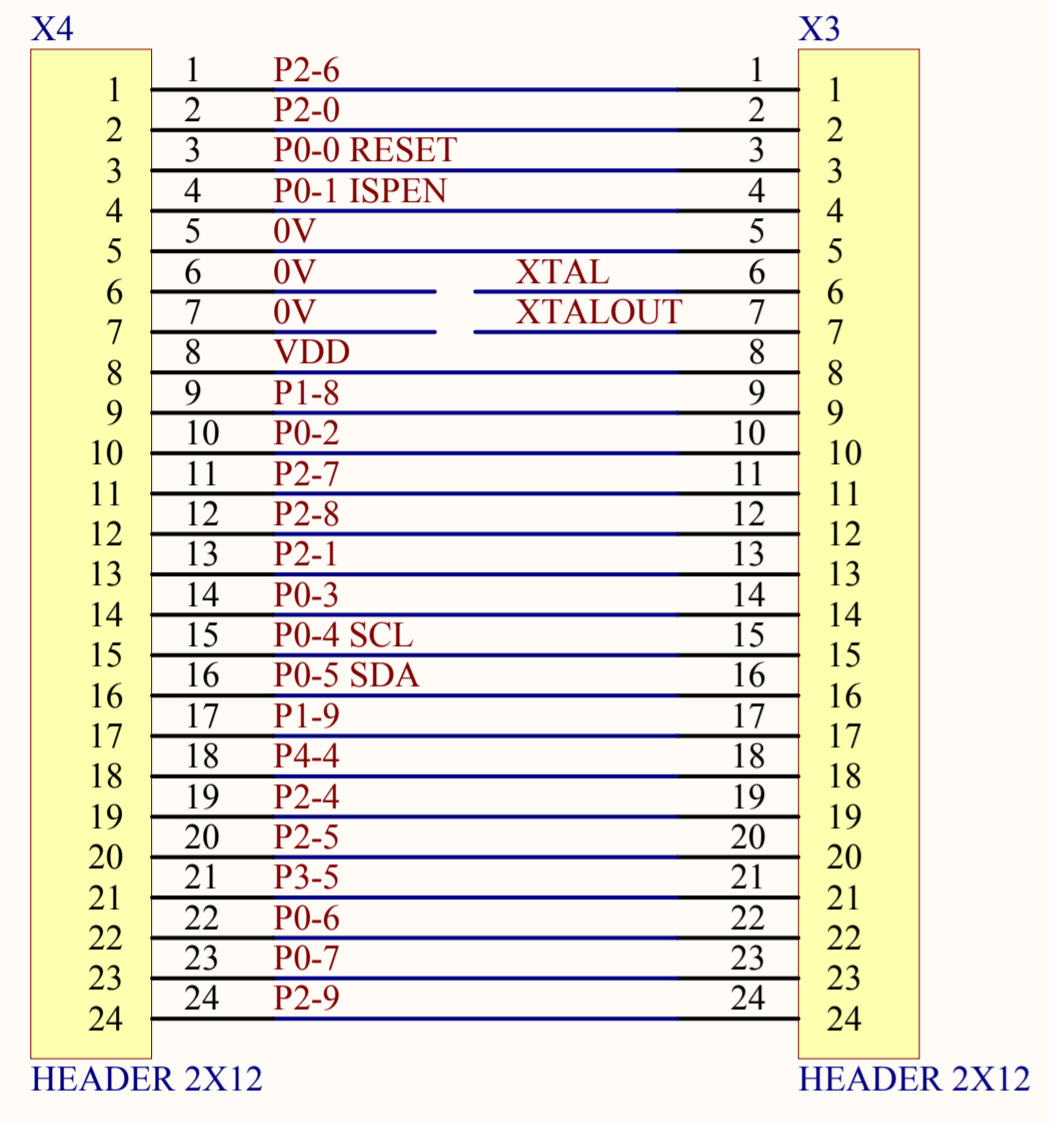
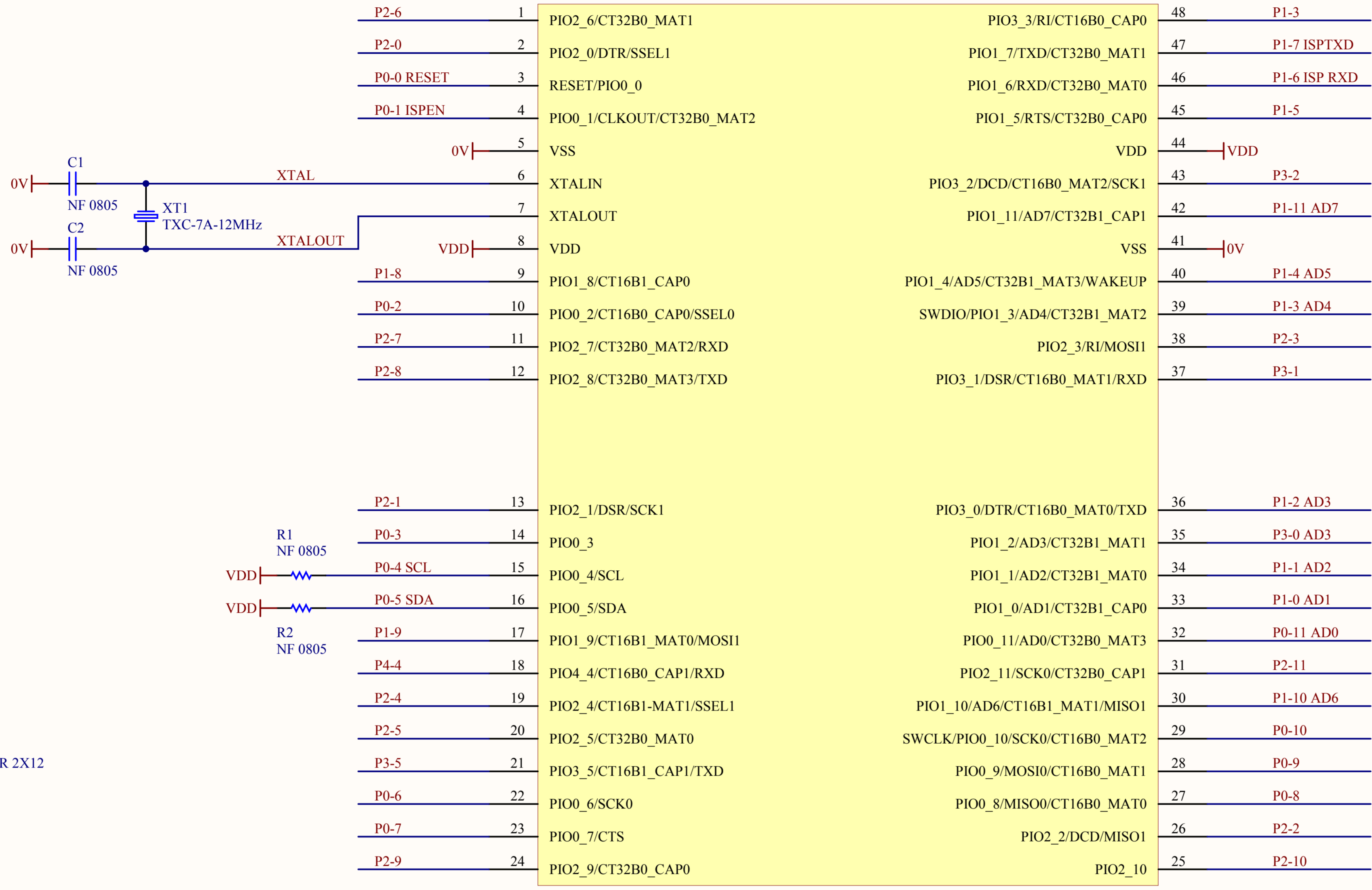


IC1
LPC1115 LQFP-48



COMMERCIAL IN CONFIDENCE DOCUMENT - NOT TO BE COPIED OR DISTRIBUTED WITHOUT WRITTEN CONSENT

Copyright November 2015 Furzy Electronics P/L. All Rights Reserved.
All Intellectual Property contained on this document is reserved by Furzy Electronics P/L, November 2015
Not to be reproduced or disclosed in whole or part without express written permission from Furzy Electronics P/L.

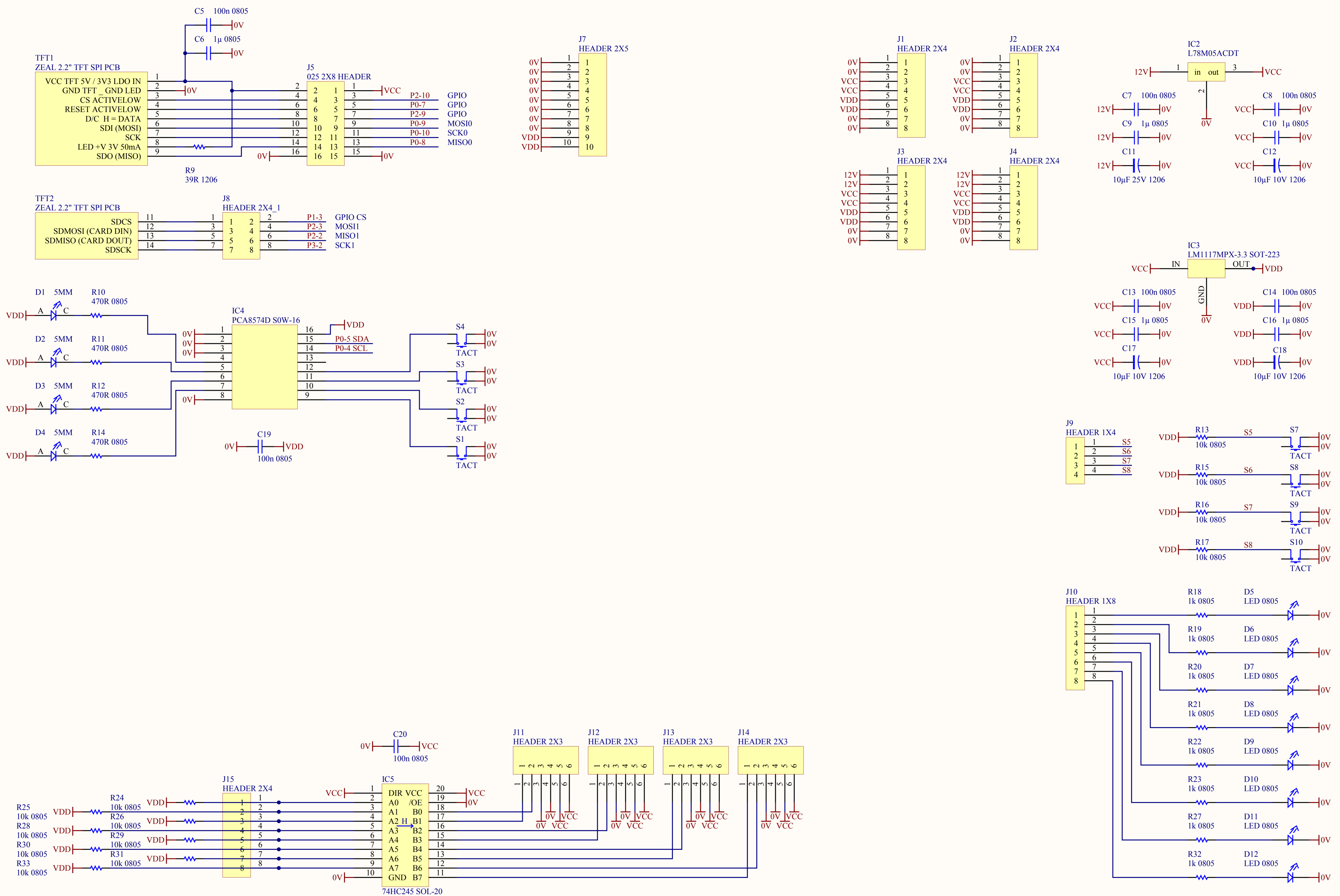
Furzy Electronics P/L
479 Kurmond Road
Freemans Reach NSW 2756
Ph 0407 457 674

email michael@furzy.com
web www.furzy.com

Type T953 LPC1115 DevBoard

Drawing T953 SCH Sheet01

rev00
2015 November



COMMERCIAL IN CONFIDENCE DOCUMENT - NOT TO BE COPIED OR DISTRIBUTED WITHOUT WRITTEN CONSENT

Copyright November 2015 Furzy Electronics P/L. All Rights Reserved.
 All Intellectual Property contained on this document is reserved by Furzy Electronics P/L, November 2015
 Not to be reproduced or disclosed in whole or part without express written permission from Furzy Electronics P/L.

Furzy Electronics P/L 479 Kurmond Road Freemans Reach NSW 2756 Ph 0407 457 674 email michael@furzy.com web www.furzy.com	Type T953 LPC1115 DevBoard Drawing T953 SCH Sheet01 rev00 2015 November
---	--